

MT DIESEL ELECTRIC

210i/310i/460i/660i



THE E-VALVE ENHANCES PERFORMANCE

Due to a new electronic expansion valve the Diesel Electric MT line improves efficiency, cares for faster pull-down and ensures accurate temperature control.

Available in four different capacity models the MT Diesel Electric line covers all the requirements for the distribution of all perishable goods. Taking into consideration ambient temperature, body insulation and the number of door openings. An MT unit is suited to cater for your requirements.

Reduced fuel consumption, lower service costs and downtime ensures high operational reliability and overall cost effectiveness.

MT 210i/310i/460i/660i - Diesel Electric

FEATURES

ADVANTAGES

- Fast pull down and precise temperature control due to new electronic expansion valve
- Improved controls with new PLC, with built in safety features
- Easily available downloadable diagnostics via USB through the Intelligent Logic Controller
- Robust design and quality components, designed for tough operating conditions.
- Easy bulkhead installation & layout, providing ease of access for optimized maintenance time

STANDARD FEATURES

- Multi Temperature systems available throughout the range
- Thermostatically controlled fan, multi temperature systems on request
- Standalone diesel engine and electric standby motor
- Auto phase detection and correction
- Simple in-cab control, increased ease of operation

Installation Kit Includes:

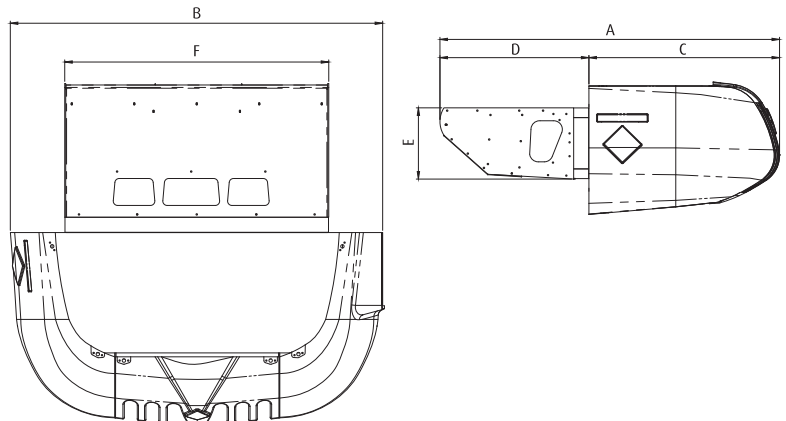
- Installation KIT with fixing bolts
- Electric connection KIT
- Fuel pump KIT
- Cab controls

Optional Extras

- Door switches
- Refrigerant R134a (for positive temperature only)
- Telematics

Dimensions in mm

	MT 210i	MT310i	MT460ii	MT660i
A	1550	1580	1585	1660
B	1728	1728	1728	1903
C	890	890	890	964
D	660	690	692	692
E	305	305	330	330
F	760	1224	1224	1339



TECHNICAL DATA

		MT 210i		MT 310i		MT 460i		MT 660i		
Box Length (m)	0°C	4,6		6,1		7,2		8,8		
	-18°C	4,4		5,1		6,4		8,0		
	-25°C	3,6		4,5		5,6		7,4		
Cooling Capacity @30°C ambient R404A	Diesel/Electric	kW	Btu/h	kW	Btu/h	kW	Btu/h	kW	Btu/h	
		0°C	3,6	12300	5,0	17100	7,9	27000	10,5	35800
		-20°C	2,1	7200	3,0	10200	4,5	15400	6,3	21500
Air Volume Flow (m³/h)		2000		3000		3300		3900		
Aperture Dimensions (mm)	Width	780		1250		1250		1420		
	Height	325		325		350		350		
Weight (kg)		306		346		390		564		
Compressor	Type	FK 20/170		FK 30/235		FK 30/235		FK 40/390		
	Cylinders	2		2		2		4		
	Displacement (cm³)	170		235		235		390		
Diesel Engine	Cylinders	2		2		3		3		
	Displacement (cm³)	482		482		722		1005		
Electric Motor	Power (kW)	380V 3Ph	3,0		4,0		5,5		7,5	
		220V 3Ph	3,0		4,0		5,5		7,5	
	Current consumption (A)	380V 3Ph	7,3		9,3		11,6		16,5	
220V 3Ph		12,6		16,0		20,0		28,0		