

ONE PIECE TRANSPORT REFRIGERATION UNIT FOR SMALL TO MEDIUM SIZED TRUCKS

KOOLVAN

660i/760i/860i



INTELLIGENCE RUNS KOOL

With Koolvan Transfrigo offers a highly flexible range of one piece direct drive transport refrigeration units for small to medium sized trucks, off engine drive with or without electric standby.

The INTELLIGENT LOGIC CONTROLLER (ILC) ensures improved control, temperature management and operation.

Customers profit from a fast access of diagnostics, easily to be downloaded via USB.

VALEO-TRANSPORTREFRIGERATION.COM



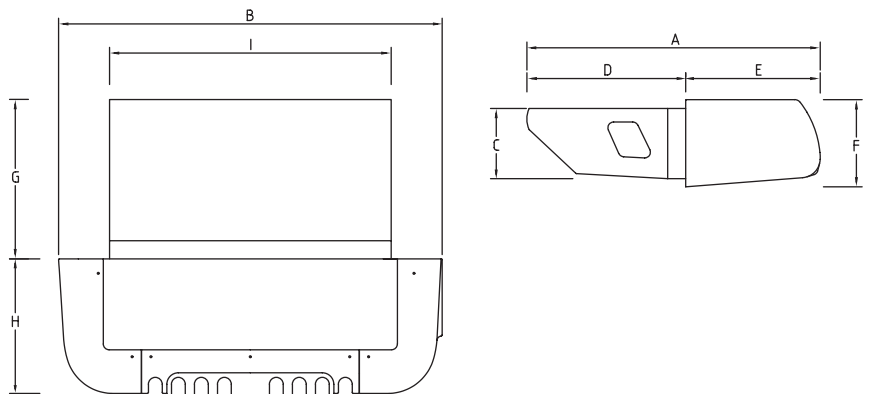
FEATURES

ADVANTAGES

- High volume, constant airflow through electronic evaporator fans, for improved air management.
- Powerful semi-hermetic compressor, electric standby option according to technical data below.
- Simple In-Cab Control, increased ease of operation
- Constant airflow through electronic evaporator fans, for improved air management
- Available in R404A, ozone friendly refrigerant

Dimensions in mm

	KV 660i	KV 760i	KV 860i
A	1244	1270	1270
B	1360	1660	1660
C	305	305	305
D	659	690	690
E	585	585	585
F	379	379	379
G	659	690	690
H	585	585	585
I	760	1224	1224



TECHNICAL DATA

		KV 660i	KV 760i	KV 860i	
Cooling Capacity @30°C ambient R404A	Road	0°C	3,7	4,2	4,7
		-20°C	2,2	2,8	3,1
	Electric	0°C	3,7	4,2	4,7
		-20°C	2,2	2,8	3,1
Volume Flow (m³/h)		2000	3000	3900	
Weight (kg)	Road only	99	105	115	
	el. standby	145	165	175	
Road Compressor		160 cc	160 cc	210 cc	
Standby Compressor	Type	Semi-hermetic	B1,5-9Y	D3-16Y	D3-16Y
	Power (kW)	380V 3Ph	3,3	5,4	5,4
		220V 1Ph	3,3	-	-
	Current	380V 3Ph	5,9	9,9	9,9
	Consumption (A)	220V 1Ph	10,2	-	-