

TRANSPORT REFRIGERATION UNITS FOR MEDIUM AND LARGE RIGID TRUCKS

MT DIESEL ELECTRIC

210i/310i/460i/660i



THE E-VALVE ENHANCES PERFORMANCE

Due to a new electronic expansion valve the Diesel Electric MT line improves efficiency, cares for faster pull-down and ensures accurate temperature control.

Available in four different capacity models the MT Diesel Electric line covers all the requirements for the distribution of all perishable goods. Taking into consideration ambient temperature, body insulation and the number of door openings. An MT unit is suited to cater for your requirements.

Reduced fuel consumption, lower service costs and downtime ensures high operational reliability and overall cost effectiveness.

VALEO-TRANSPORTREFRIGERATION.COM



MT 210i/310i/460i/660i - Diesel Electric

FEATURES

ADVANTAGES

- Fast pull down and precise temperature control due to new electronic expansion valve
- Improved controls with new IPro PLC, with built in safety features
- Easily available downloadable diagnostics via USB through the Intelligent Logic Controller
- Robust design and quality components, designed for tough operating conditions.
- Easy bulkhead installation & layout, providing ease of access for optimized maintenance time

STANDARD FEATURES

- Multi Temperature systems available throughout the range
- Thermostatically controlled fan, multi temperature systems on request
- Standalone diesel engine and electric standby motor
- Auto phase detection and correction
- Simple In-Control panel, increased ease of operation
- Constant airflow through electronic evaporator fans, for improved air management

Installation Kit Includes:

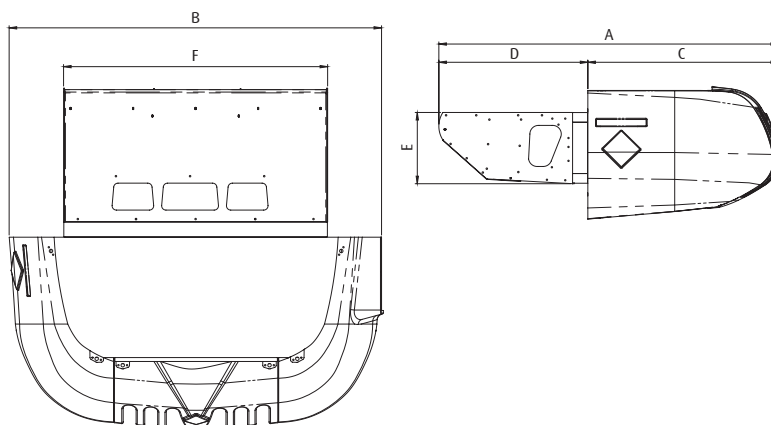
- Installation KIT with fixing bolts
- Electric connection KIT
- Fuel pump KIT
- Cab controls

Optional Extras

- Door switches
- Telematics

Dimensions in mm

	MT 210i	MT310i	MT460i	MT660i
A	1550	1580	1585	1660
B	1728	1728	1728	1903
C	890	890	890	964
D	660	690	692	692
E	305	305	330	330
F	760	1224	1224	1339



TECHNICAL DATA

			MT 210i	MT 310i	MT 460i	MT 660i
Cooling Capacity @30°C ambient R404A	Diesel	0°C	3,6	5,0	7,9	10,5
		-20°C	2,1	3,0	4,5	6,3
	Electric	0°C	3,6	5,0	7,9	10,5
		-20°C	2,1	3,0	4,5	6,3
Air Volume Flow (m³/h)			2000	3000	3300	3900
Weight kg			315	357	369	500
Compressor	Type		FK 20/170	FK 30/235	FK 30/235	FK 40/390
	Cylinders		2	2	2	4
	Displacement (cm³)		170	235	235	390
Engine	Cylinders		2	2	3	3
	Displacement (cm³)		482	482	722	1005
Electric Motor			50 Hz	50 Hz	50 Hz	50 Hz
	Power (kW)	380 V 3 Ph	3	4	5,5	7,5
	Current Consumption (A)	380 V 3 Ph	6,3	7,8	12,3	15,1