

ONE PIECE TRANSPORT REFRIGERATION UNIT FOR SMALL TO MEDIUM SIZED TRUCKS

KOOLVAN

660i/760i/860i



INTELLIGENCE RUNS KOOL

With Koolvan Transfrig offers a highly flexible range of one piece direct drive transport refrigeration units for small to medium sized trucks, off engine drive with or without electric standby.

The INTELLIGENT LOGIC CONTROLLER (ILC) ensures improved control, temperature management and operation.

Customers profit from a fast access of diagnostics, easily to be downloaded via USB.

VALEO-TRANSPORTREFRIGERATION.COM



KOOLVAN 660i/760i/860i

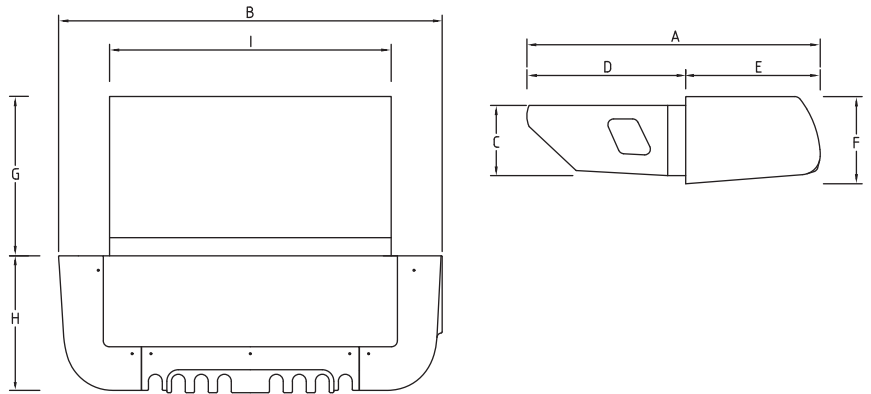
FEATURES

ADVANTAGES

- Evaporator with constant and high airflow
- Powerful semi-hermetic compressor, electric standby options
- Simple in-cab control, increased ease of operation
- Available in R134a and R404A, ozone friendly refrigerant
- Robust design and quality components, designed for tough operating conditions

Dimensions in mm

	KV 660i	KV 760i	KV 860i
A	1244	1270	1270
B	1360	1660	1660
C	305	305	305
D	659	690	690
E	585	585	585
F	379	379	379
G	659	690	690
H	585	585	585
I	760	1224	1224



TECHNICAL DATA

			KV 660i		KV 760i		KV 860i	
Box Length (m)		0°C	4,8		6,0		7,2	
		-18°C	4,2		5,4		6,0	
		-25°C	3,8		4,5		5,0	
Cooling Capacity @30°C ambient R404A	Road/Electric	0°C	kW	Btu/h	kW	Btu/h	kW	Btu/h
		-20°C	3,7	12600	4,2	14300	4,7	16000
			2,2	7500	2,8	9500	3,1	10600
Air Volume Flow (m³/h)			2000		3000		3900	
Weight (kg)	Road only		99		105		115	
	Electric standby		145		165		175	
Road Compressor			TM16		TM16		TM21	
Semi-hermetic standby compressor	Type		B1,5-9Y		D3-16Y		D3-16Y	
	Power (kW)	380V 3Ph	3,3		5,4		5,4	
		220V 3Ph						
	Current consumption (A)	380V 3Ph	7,1		9,9		9,9	
220V 3Ph		12,4		17,1		17,1		